

Service Unique Nice Youthful Energy Honesty

SUNYEH



www.sunyeh.com

Standard Specification

- Aluminum alloy, polyester powder coated. Corrosion protection C3 according to ISO 12944-6.
- NEMA 4X & IP67 (Waterproof and dustproof enclosure intended for outdoor use).

- All models are equipped with an easily visible, continuous, mechanical position indicator on top of the actuator cover.

• 30% duty cycle.

Enclosure
Gear Train

Duty Cycle
Motor

Domed Position Indicator
Mechanical Stops

- Adjustable mechanical stops are provided on OM-2 to OM-13, OM-F, OM-G, and OM-H actuators.

- Insulation class F.
- Built-in thermal protection prevents motor burnout.
AC motor: $125\pm 5^{\circ}\text{C}$ / $257\pm 9^{\circ}\text{F}$
DC motor: $90\pm 5^{\circ}\text{C}$ / $194\pm 9^{\circ}\text{F}$

- High alloy-steel gear trains with self-locking prevent back-drive.
- Gear trains are factory lubricated for actuators' full life cycle.



- Ambient temperature: -30°C to +65°C / -22°F to +149°F
- Relative humidity: 30% to 95%

Service Condition

Supply Voltages

Manual Override

- Non-clutch design means no lever, clutch, or brake required for manual operation.
- When the actuator is electrically activated, for safety reasons, the handwheel will not rotate.

Certifications

- CSA (except BM-2)
- CE (except BM-2)
- RoHS
- REACH
- China RoHS

Model	12V		24V		1-Phase		3-Phase		
	DC	AC	DC	AC	110V-120V	220-240V	220V	380V	440V
OM-A, OM-AM, OM-1	✓	✓	✓	✓	✓	✓			
BM-2					✓	✓	✓	✓	✓
OM-F and OM-G			✓	✓	✓	✓			
OM-H	✓		✓	✓	✓	✓	✓	✓	✓
OM-2 to OM-10	✓	✓	✓	✓	✓	✓	✓	✓	✓
OM-11 and OM-12			✓	✓	✓	✓	✓	✓	✓
OM-13					✓	✓	✓	✓	✓

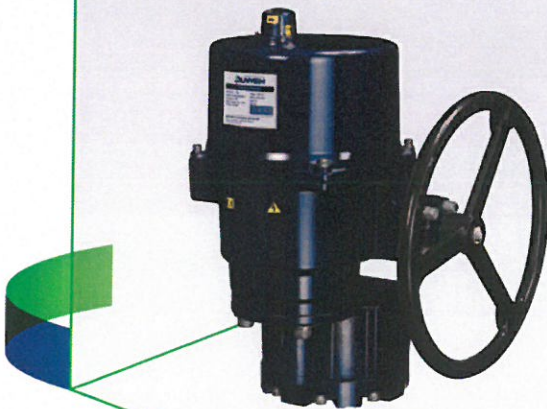
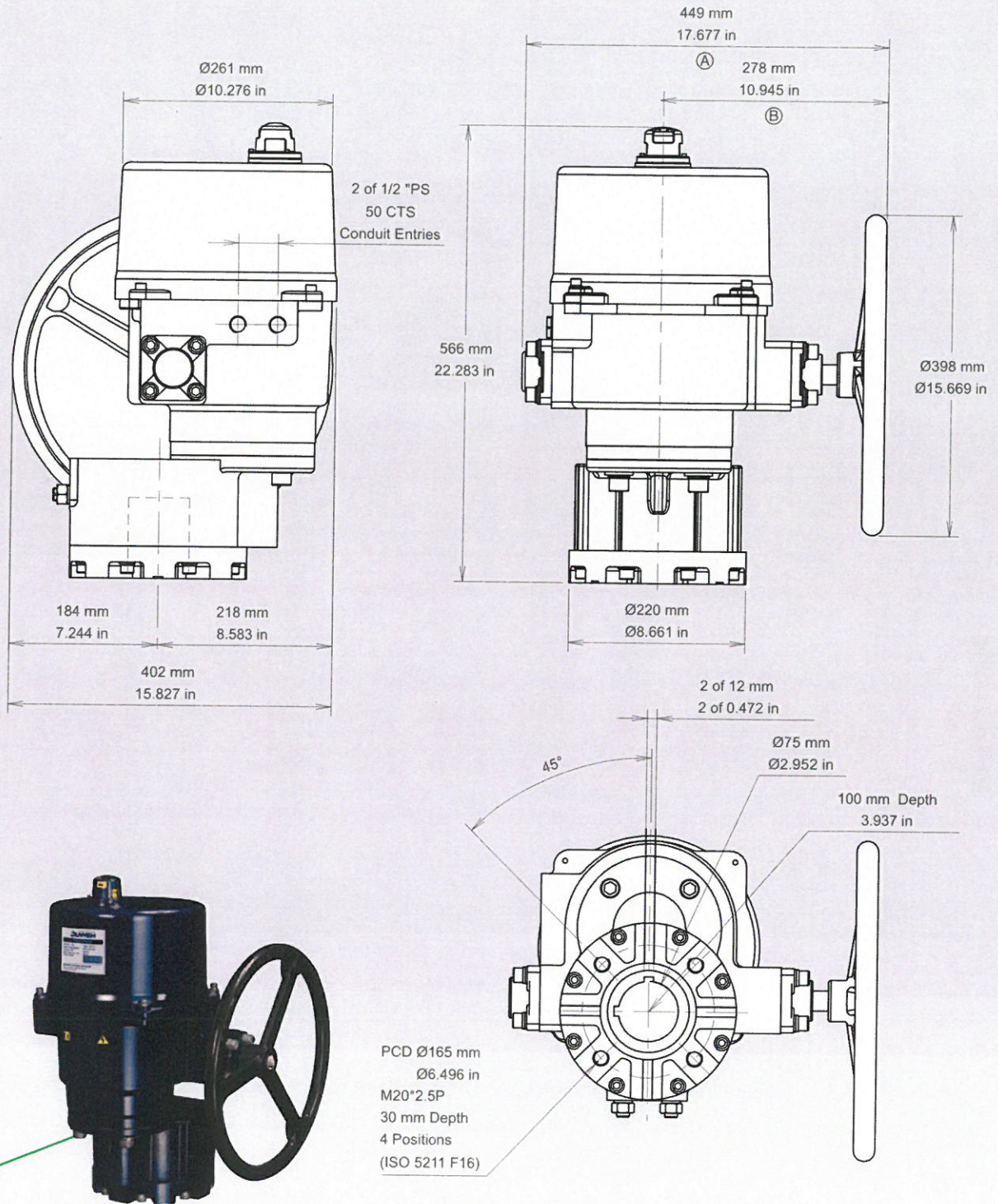
Please contact your salesperson if other voltages are required.



Model	Torque		Weight		Nominal Motor Power	Running Time	Manual Override	Flange Type
	N·m	in·lb	kg	lb	Watt	(sec. / 90°)		ISO 5211
OM-1	35	310	2	4.4	10	12	Lever	F03 / F05
OM-A	50	445	3	6.6	10	27	N / A	F05 / F07
OM-AM	50	445	3	6.6	10	27	Lever	F05 / F07
OM-F	65	575	11	25	60	6	Handwheel	F07 / F10
OM-2	90	800	11	25	40	17		F07 / F10
BM-2	120	1065	5.5	13	40	9	N / A	F07
OM-G	120	1065	11	25	60	8		F07 / F10
OM-3	150	1330	11	25	40	26		F07 / F10
OM-H	300	2655	17	38	60	24		F07 / F10
OM-4	400	3540	20	45	80	19		F10 / F12
OM-5	500	4430	20	45	80	26		F10 / F12
OM-6	650	5755	20	45	80	34		F10 / F12
OM-7	1000	8855	32	71	120	50	Handwheel	F12 or F14
OM-8	1500	13280	32	71	120	51		F12 or F14
OM-9	2000	17710	71	157	180	62		F14 or F16
OM-10	2500	22140	71	157	180	62		F14 or F16
OM-11	3000	26565	72	159	180	62		F14 or F16
OM-12	3500	31000	72	159	220	62		F14 or F16
OM-13	4500	40000	106	234	220	88		F16 / F25

※Motor power and speed data are based on 110VAC @60Hz, 30% duty cycle, Floating control.

Outline Dimensions



OM-9/10/11/12