

Service Unique Nice Youthful Energy Honesty

# SUNYEH



[www.sunyeh.com](http://www.sunyeh.com)

## Standard Specification

- Aluminum alloy, polyester powder coated. Corrosion protection C3 according to ISO 12944-6.
- NEMA 4X & IP67 (Waterproof and dustproof enclosure intended for outdoor use).

- All models are equipped with an easily visible, continuous, mechanical position indicator on top of the actuator cover.

• 30% duty cycle.

**Enclosure**

**Duty Cycle**

**Domed Position Indicator**

**Mechanical Stops**

**Motor**

**Gear Train**

- Adjustable mechanical stops are provided on OM-2 to OM-13, OM-F, OM-G, and OM-H actuators.

- Insulation class F.
- Built-in thermal protection prevents motor burnout.  
AC motor:  $125\pm 5^{\circ}\text{C}$  /  $257\pm 9^{\circ}\text{F}$   
DC motor:  $90\pm 5^{\circ}\text{C}$  /  $194\pm 9^{\circ}\text{F}$

- High alloy-steel gear trains with self-locking prevent back-drive.
- Gear trains are factory lubricated for actuators' full life cycle.



- Ambient temperature: -30°C to +65°C / -22°F to +149°F
- Relative humidity: 30% to 95%

**Service Condition**

**Supply Voltages**

**Manual Override**

- Non-clutch design means no lever, clutch, or brake required for manual operation.
- When the actuator is electrically activated, for safety reasons, the handwheel will not rotate.

**Certifications**

- CSA (except BM-2)
- CE (except BM-2)
- RoHS
- REACH
- China RoHS

| Model             | 12V |    | 24V |    | 1-Phase   |          | 3-Phase |      |      |
|-------------------|-----|----|-----|----|-----------|----------|---------|------|------|
|                   | DC  | AC | DC  | AC | 110V-120V | 220-240V | 220V    | 380V | 440V |
| OM-A, OM-AM, OM-1 | ✓   | ✓  | ✓   | ✓  | ✓         | ✓        |         |      |      |
| BM-2              |     |    |     |    | ✓         | ✓        | ✓       | ✓    | ✓    |
| OM-F and OM-G     |     |    | ✓   | ✓  | ✓         | ✓        |         |      |      |
| OM-H              | ✓   |    | ✓   | ✓  | ✓         | ✓        | ✓       | ✓    | ✓    |
| OM-2 to OM-10     | ✓   | ✓  | ✓   | ✓  | ✓         | ✓        | ✓       | ✓    | ✓    |
| OM-11 and OM-12   |     |    | ✓   | ✓  | ✓         | ✓        | ✓       | ✓    | ✓    |
| OM-13             |     |    |     |    | ✓         | ✓        | ✓       | ✓    | ✓    |

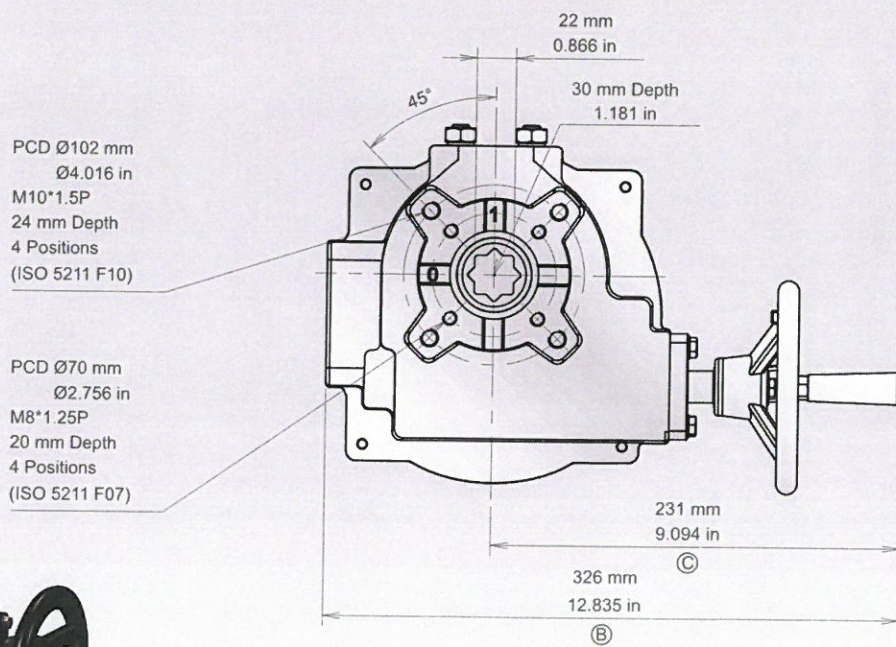
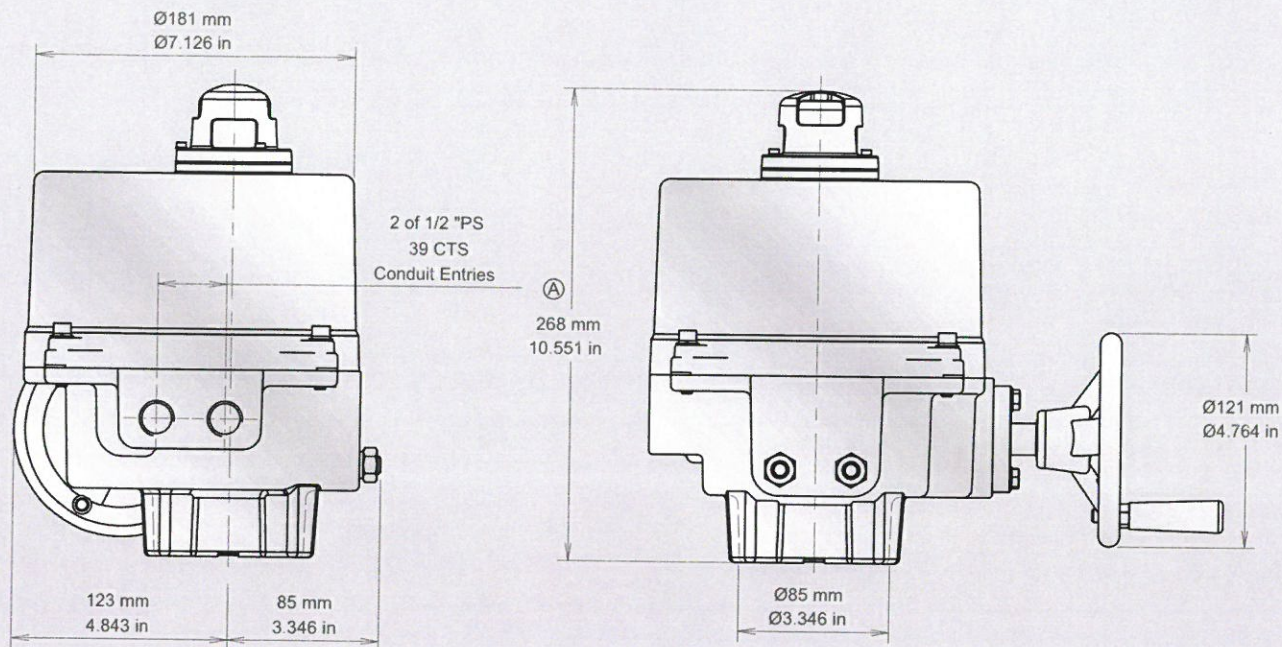
Please contact your salesperson if other voltages are required.



| Model | Torque |       | Weight |     | Nominal Motor Power | Running Time | Manual Override | Flange Type |
|-------|--------|-------|--------|-----|---------------------|--------------|-----------------|-------------|
|       | N·m    | in·lb | kg     | lb  | Watt                | (sec. / 90°) |                 | ISO 5211    |
| OM-1  | 35     | 310   | 2      | 4.4 | 10                  | 12           | Lever           | F03 / F05   |
| OM-A  | 50     | 445   | 3      | 6.6 | 10                  | 27           | N / A           | F05 / F07   |
| OM-AM | 50     | 445   | 3      | 6.6 | 10                  | 27           | Lever           | F05 / F07   |
| OM-F  | 65     | 575   | 11     | 25  | 60                  | 6            | Handwheel       | F07 / F10   |
| OM-2  | 90     | 800   | 11     | 25  | 40                  | 17           |                 | F07 / F10   |
| BM-2  | 120    | 1065  | 5.5    | 13  | 40                  | 9            | N / A           | F07         |
| OM-G  | 120    | 1065  | 11     | 25  | 60                  | 8            | Handwheel       | F07 / F10   |
| OM-3  | 150    | 1330  | 11     | 25  | 40                  | 26           |                 | F07 / F10   |
| OM-H  | 300    | 2655  | 17     | 38  | 60                  | 24           |                 | F07 / F10   |
| OM-4  | 400    | 3540  | 20     | 45  | 80                  | 19           |                 | F10 / F12   |
| OM-5  | 500    | 4430  | 20     | 45  | 80                  | 26           |                 | F10 / F12   |
| OM-6  | 650    | 5755  | 20     | 45  | 80                  | 34           |                 | F10 / F12   |
| OM-7  | 1000   | 8855  | 32     | 71  | 120                 | 50           |                 | F12 or F14  |
| OM-8  | 1500   | 13280 | 32     | 71  | 120                 | 51           |                 | F12 or F14  |
| OM-9  | 2000   | 17710 | 71     | 157 | 180                 | 62           |                 | F14 or F16  |
| OM-10 | 2500   | 22140 | 71     | 157 | 180                 | 62           |                 | F14 or F16  |
| OM-11 | 3000   | 26565 | 72     | 159 | 180                 | 62           |                 | F14 or F16  |
| OM-12 | 3500   | 31000 | 72     | 159 | 220                 | 62           |                 | F14 or F16  |
| OM-13 | 4500   | 40000 | 106    | 234 | 220                 | 88           |                 | F16 / F25   |

※Motor power and speed data are based on 110VAC @60Hz, 30% duty cycle, Floating control.

# Outline Dimensions



**OM-2/3**

Apply to DC models or 75% duty cycle, **A**302 mm (11.890 in)  
 With torque switch, **B**363 mm (14.291 in), **C**268 mm (10.551 in)